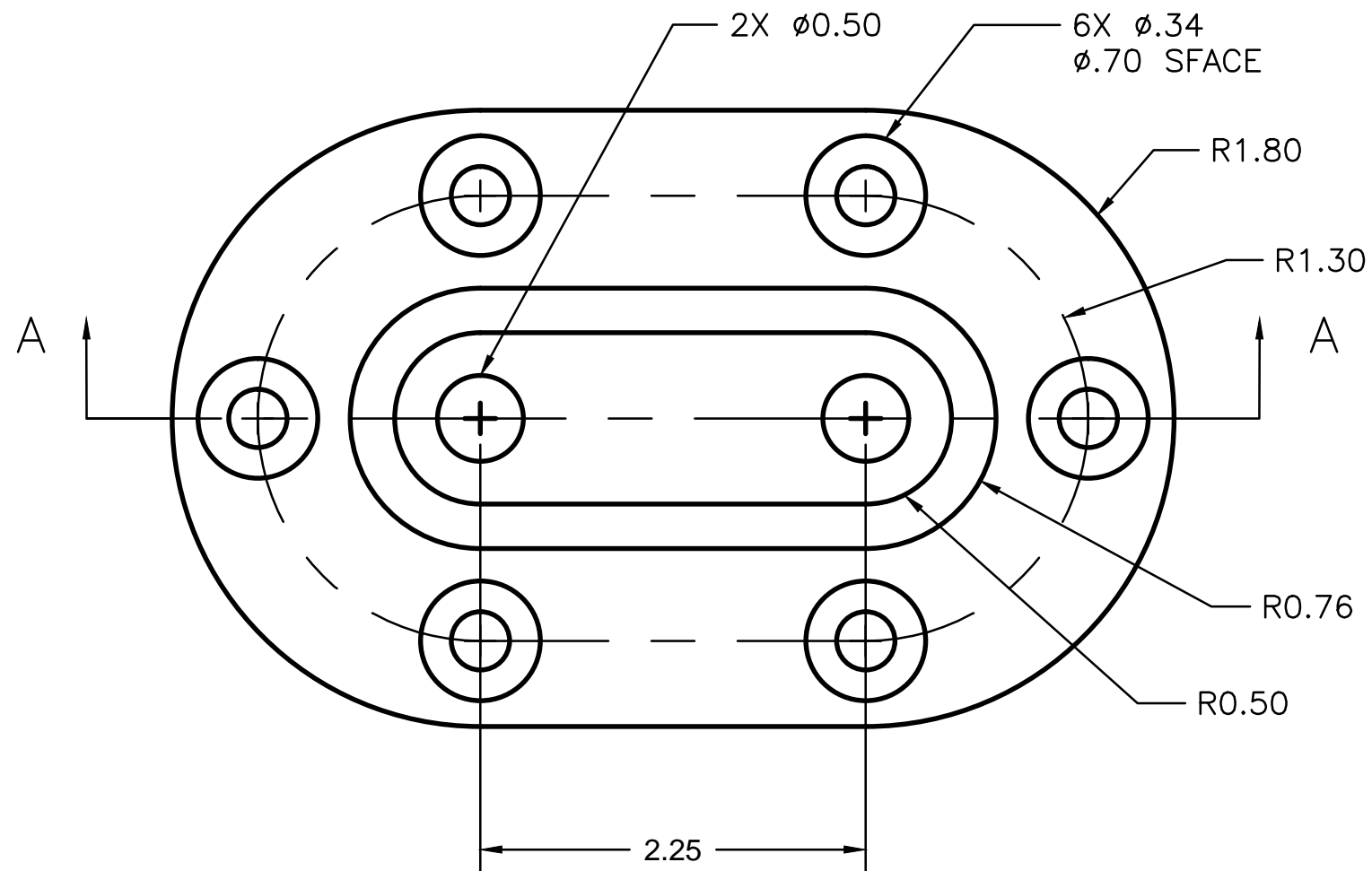


# PARTS LIST

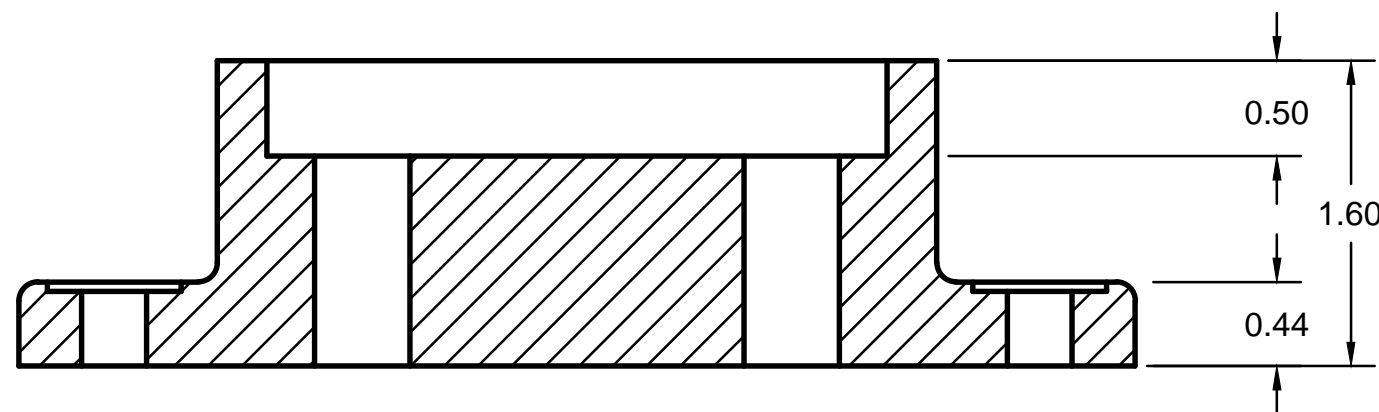
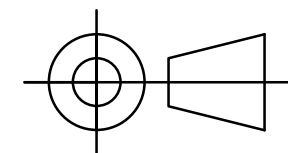
ITEM	QTY	PART NAME	MATERIAL
1	1	SHAFT BASE	MALLEABLE IRON



ROUNDS AND FILLETS R.10

## LEGEND:

$\phi$  DIAMETER  
R RADIUS  
SFACE SPOTFACE



DIGITAL DESIGN GRAPHIC TECHNOLOGY	NAME:	E. PEREZ	DWG NAME: 9-35	SHEET NO:
	COURSE:	DDGT 120	SHAFT BASE	1 OF 1
	DATE:	11-14-12	SCALE:	1:1